



California Faucets®

Decorative Grab Bar

SMOOTH END WITH SQUARE BASE

Features

- All brass construction
- 1-1/4" diameter bar
- Concealed mounting
- Mounting hardware included

- 9412D-77
- 9418D-77
- 9424D-77
- 9430D-77
- 9436D-77
- 9442D-77
- 9448D-77

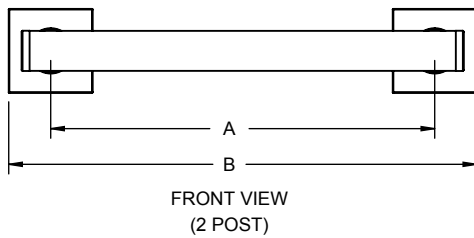


Codes/Standards Applicable

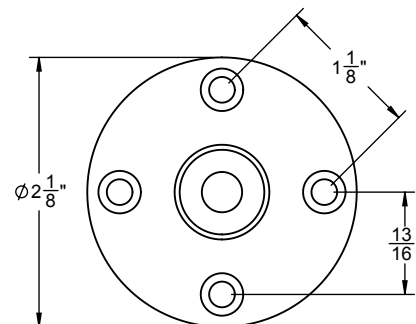
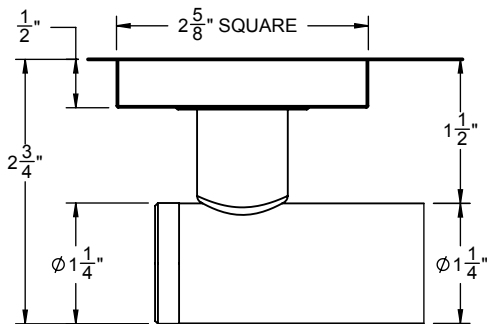
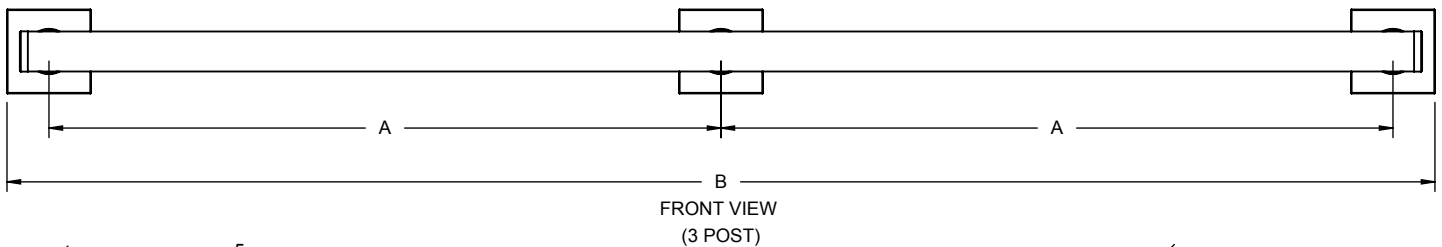
Product meets or exceeds the following:

- ADA compliant

9418D-77 SHOWN



	DECORATIVE GRAB BAR	DIM. A	DIM. B
2 POST	9412D-77	12"	14 ⁵ / ₈ "
	9418D-77	18"	20 ⁵ / ₈ "
	9424D-77	24"	26 ⁵ / ₈ "
	9430D-77	30"	32 ⁵ / ₈ "
	9436D-77	36"	38 ⁵ / ₈ "
3 POST	9442D-77	21"	44 ⁵ / ₈ "
	9448D-77	24"	50 ⁵ / ₈ "



- (8X) - 2 POST GRAB BAR
#8 X 1-3/4" PHILLIPS HEAD SCREW
- (12X) - 3 POST GRAB BAR
#8 X 1-3/4" PHILLIPS HEAD SCREW

SPECIFICATIONS SUBJECT TO CHANGE WITHOUT NOTICE

ALL DIMENSIONS SHOWN TO NEAREST 1/16"